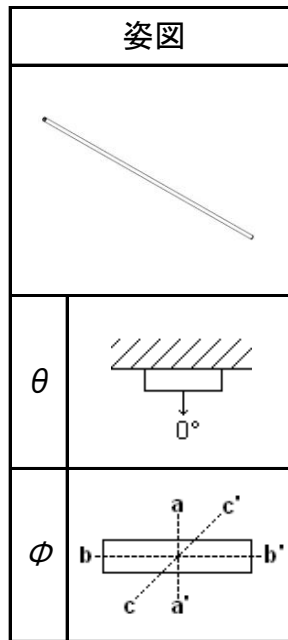


| | | |
|------------------|---------------------------------|---------------|
| 名称 | 110形 電源内蔵形直管LEDランプ 昼白色 標準タイプ | |
| 型番 | FG8M110-50FN1 | |
| 光源 | 型番 | FG8M110-50FN1 |
| | 全光束 | 5100 [lm] × 1 |
| 保守率 (40,000h) | 良い | 0.88 |
| | 普通 | 0.86 |
| | 悪い | 0.81 |
| 効率 | 上半球 | 3.4 [%] |
| | 下半球 | 96.6 [%] |
| | 全方向 | 100.0 [%] |
| 器具光束 | - [lm] | |



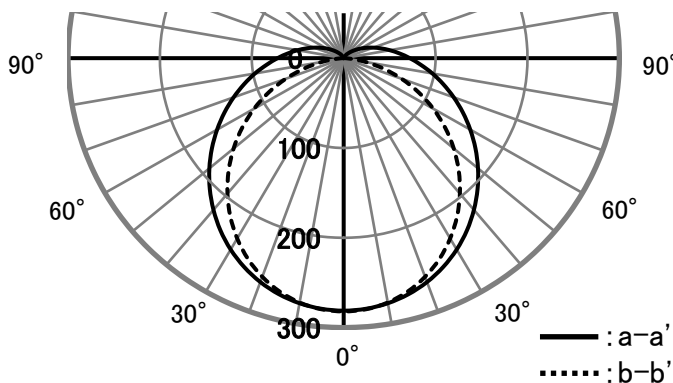
◎配光特性 [cd/1,000lm]

| θ | ϕ | a-a' | b-b' | c-c' |
|----------|--------|------|------|------|
| 0° | | 281 | 281 | 281 |
| 10° | | 277 | 276 | 277 |
| 20° | | 265 | 259 | 263 |
| 30° | | 246 | 232 | 240 |
| 40° | | 220 | 197 | 210 |
| 50° | | 191 | 156 | 175 |
| 60° | | 159 | 113 | 139 |
| 70° | | 127 | 67 | 104 |
| 80° | | 98 | 24 | 73 |
| 90° | | 72 | 0 | 49 |
| 100° | | 51 | 0 | 30 |
| 110° | | 34 | 0 | 18 |
| 120° | | 21 | 0 | 10 |
| 130° | | 12 | 0 | 5 |
| 140° | | 6 | 0 | 0 |
| 150° | | 0 | 0 | 0 |
| 160° | | 0 | 0 | 0 |
| 170° | | 0 | 0 | 0 |
| 180° | | 0 | 0 | 0 |

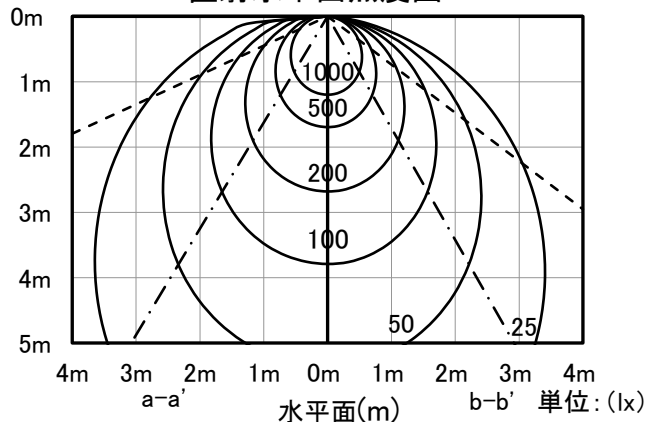
照明率表

| 反射率 (%) | 天井 | | 80 | | | | | | 70 | | | | | | 50 | | | | 30 | | 20 | 0 |
|---------|-------------|-----|-----|----|-----|----|-----|----|-----|----|-----|----|-----|----|-----|----|----|----|----|----|-----|----|
| | 壁 | 床 | 70 | | 50 | | 30 | | 70 | | 50 | | 30 | | 50 | | 30 | | 30 | 10 | 0 | 0 |
| | | | 30 | 10 | 30 | 10 | 30 | 10 | 30 | 10 | 30 | 10 | 30 | 10 | 30 | 10 | 30 | 10 | 30 | 10 | 10 | 0 |
| 室指数 | 照明率 (×0.01) | | | | | | | | | | | | | | | | | | | | 初期値 | |
| 0.6 | 59 | 55 | 44 | 42 | 35 | 34 | 57 | 53 | 43 | 41 | 35 | 34 | 41 | 39 | 33 | 33 | 32 | 32 | 27 | 25 | 27 | 25 |
| 0.8 | 69 | 63 | 54 | 51 | 45 | 43 | 67 | 61 | 53 | 50 | 44 | 42 | 50 | 48 | 42 | 41 | 40 | 39 | 34 | 32 | 34 | 32 |
| 1 | 78 | 70 | 63 | 58 | 53 | 50 | 74 | 67 | 61 | 57 | 52 | 49 | 57 | 54 | 49 | 47 | 47 | 46 | 41 | 38 | 41 | 38 |
| 1.25 | 85 | 76 | 71 | 65 | 61 | 57 | 81 | 73 | 69 | 63 | 59 | 56 | 64 | 60 | 56 | 54 | 54 | 52 | 47 | 44 | 47 | 44 |
| 1.5 | 91 | 80 | 77 | 70 | 67 | 63 | 87 | 77 | 75 | 68 | 66 | 61 | 70 | 65 | 62 | 59 | 59 | 57 | 52 | 49 | 52 | 49 |
| 2 | 99 | 86 | 87 | 78 | 78 | 71 | 94 | 83 | 84 | 76 | 75 | 70 | 78 | 72 | 71 | 67 | 67 | 65 | 60 | 57 | 60 | 57 |
| 2.5 | 104 | 90 | 93 | 83 | 85 | 77 | 99 | 87 | 90 | 81 | 82 | 75 | 83 | 77 | 77 | 72 | 73 | 70 | 65 | 62 | 65 | 62 |
| 3 | 108 | 92 | 98 | 86 | 91 | 81 | 103 | 90 | 94 | 84 | 88 | 79 | 87 | 80 | 82 | 76 | 77 | 73 | 69 | 66 | 69 | 66 |
| 4 | 112 | 95 | 105 | 90 | 98 | 86 | 107 | 93 | 100 | 88 | 94 | 84 | 93 | 85 | 88 | 81 | 82 | 78 | 74 | 71 | 74 | 71 |
| 5 | 115 | 97 | 109 | 93 | 103 | 89 | 110 | 95 | 104 | 91 | 99 | 88 | 96 | 87 | 92 | 84 | 85 | 81 | 77 | 74 | 77 | 74 |
| 10 | 122 | 102 | 118 | 99 | 114 | 97 | 116 | 99 | 112 | 97 | 109 | 95 | 103 | 93 | 101 | 91 | 93 | 88 | 85 | 81 | 85 | 81 |

配光曲線 (cd/1000[lm])



高さ(m) 直射水平面照度図 初期値



| | | |
|------|------------|------|
| 132° | 1/2ビーム角--- | 107° |
| 63° | 1/2照度角--- | 61° |