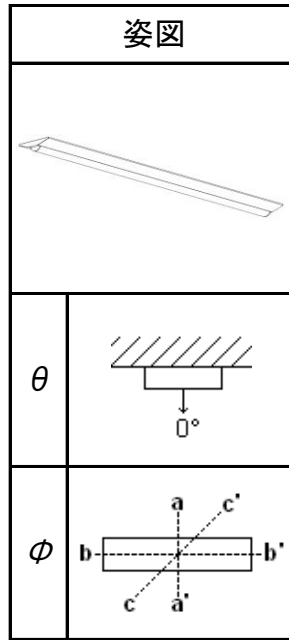


| | | |
|------------------|--------------------------------------|-------------|
| 名称 | EM11 110形 W230 屋白色 13,400lmタイプ 調光 | |
| 型番 | EM11SB-B8N13BD2-A | |
| 光源 | 型番 | - |
| | 全光束 | - [lm] - |
| 保守率 (40,000h) | 良い | 0.88 |
| | 普通 | 0.86 |
| | 悪い | 0.81 |
| 効率 | 上半球 | 1.1 [%] |
| | 下半球 | 98.9 [%] |
| | 全方向 | 100.0 [%] |
| 器具光束 | | 13,400 [lm] |



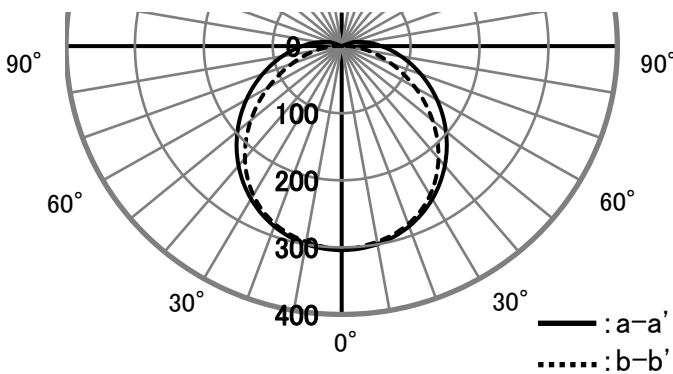
◎配光特性 [cd/1,000lm]

| θ | φ | a-a' | b-b' | c-c' |
|------|---|------|------|------|
| 0° | | 304 | 304 | 304 |
| 10° | | 300 | 296 | 298 |
| 20° | | 286 | 282 | 284 |
| 30° | | 263 | 256 | 259 |
| 40° | | 233 | 218 | 226 |
| 50° | | 197 | 172 | 186 |
| 60° | | 160 | 123 | 144 |
| 70° | | 122 | 77 | 103 |
| 80° | | 88 | 39 | 67 |
| 90° | | 58 | 12 | 38 |
| 100° | | 34 | 0 | 17 |
| 110° | | 16 | 0 | 0 |
| 120° | | 0 | 0 | 0 |
| 130° | | 0 | 0 | 0 |
| 140° | | 0 | 0 | 0 |
| 150° | | 0 | 0 | 0 |
| 160° | | 0 | 0 | 0 |
| 170° | | 0 | 0 | 0 |
| 180° | | 0 | 0 | 0 |

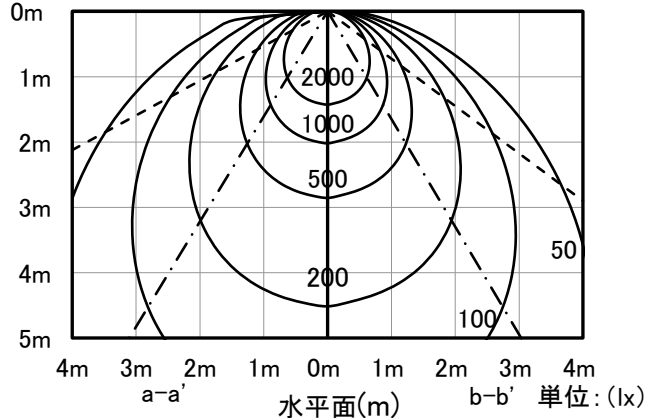
照明率表

| 反射率 (%) | 天井 | | 80 | | | | | | 70 | | | | | | 50 | | | | 30 | | 20 | 0 |
|---------|-------------|-----|-----|-----|-----|----|-----|-----|-----|----|-----|----|-----|----|-----|----|----|----|----|----|-----|----|
| | 壁 | 床 | 70 | | 50 | | 30 | | 70 | | 50 | | 30 | | 50 | | 30 | | 30 | 10 | 0 | 0 |
| | | | 30 | 10 | 30 | 10 | 30 | 10 | 30 | 10 | 30 | 10 | 30 | 10 | 30 | 10 | 30 | 10 | 30 | 10 | 10 | 0 |
| 室指数 | 照明率 (×0.01) | | | | | | | | | | | | | | | | | | | | 初期値 | |
| 0.6 | 60 | 56 | 45 | 43 | 36 | 35 | 58 | 54 | 44 | 43 | 36 | 35 | 43 | 41 | 35 | 34 | 34 | 33 | 29 | 27 | 29 | 27 |
| 0.8 | 71 | 64 | 56 | 52 | 46 | 44 | 68 | 63 | 54 | 51 | 45 | 44 | 52 | 49 | 44 | 43 | 42 | 41 | 36 | 34 | 36 | 34 |
| 1 | 79 | 71 | 64 | 60 | 54 | 51 | 76 | 69 | 62 | 58 | 53 | 51 | 59 | 56 | 51 | 49 | 50 | 48 | 43 | 41 | 43 | 41 |
| 1.25 | 86 | 77 | 72 | 66 | 62 | 59 | 83 | 75 | 70 | 65 | 61 | 58 | 67 | 63 | 59 | 56 | 57 | 55 | 50 | 47 | 50 | 47 |
| 1.5 | 92 | 81 | 79 | 71 | 69 | 64 | 88 | 79 | 76 | 70 | 68 | 63 | 72 | 68 | 65 | 61 | 62 | 60 | 55 | 52 | 55 | 52 |
| 2 | 100 | 87 | 89 | 79 | 80 | 73 | 96 | 85 | 86 | 78 | 78 | 72 | 80 | 75 | 74 | 70 | 70 | 68 | 63 | 61 | 63 | 61 |
| 2.5 | 105 | 91 | 95 | 84 | 87 | 78 | 101 | 89 | 92 | 82 | 85 | 77 | 86 | 80 | 80 | 75 | 76 | 73 | 69 | 66 | 69 | 66 |
| 3 | 109 | 94 | 100 | 88 | 92 | 82 | 105 | 92 | 97 | 86 | 90 | 81 | 90 | 83 | 85 | 79 | 80 | 77 | 73 | 70 | 73 | 70 |
| 4 | 114 | 97 | 106 | 92 | 100 | 88 | 109 | 95 | 102 | 90 | 97 | 86 | 95 | 87 | 91 | 84 | 86 | 82 | 78 | 75 | 78 | 75 |
| 5 | 117 | 99 | 110 | 95 | 105 | 91 | 112 | 97 | 106 | 93 | 101 | 90 | 99 | 90 | 95 | 87 | 89 | 85 | 81 | 78 | 81 | 78 |
| 10 | 123 | 103 | 119 | 101 | 116 | 98 | 118 | 101 | 114 | 99 | 111 | 97 | 106 | 96 | 104 | 94 | 97 | 91 | 89 | 86 | 89 | 86 |

配光曲線 (cd/1000[lm])



高さ(m) 直射水平面照度図 初期値



| | | |
|------|------------|------|
| 124° | 1/2ビーム角--- | 108° |
| 64° | 1/2照度角--- | 62° |